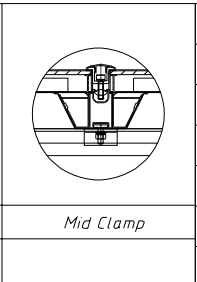
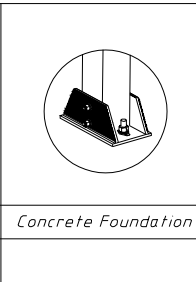
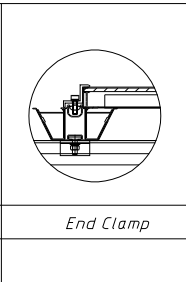
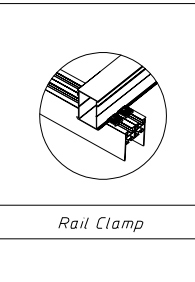
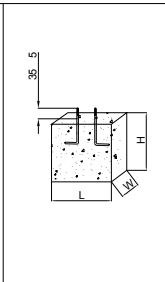
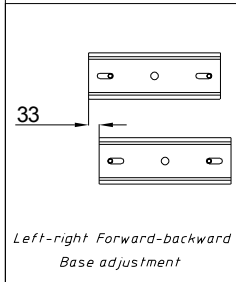
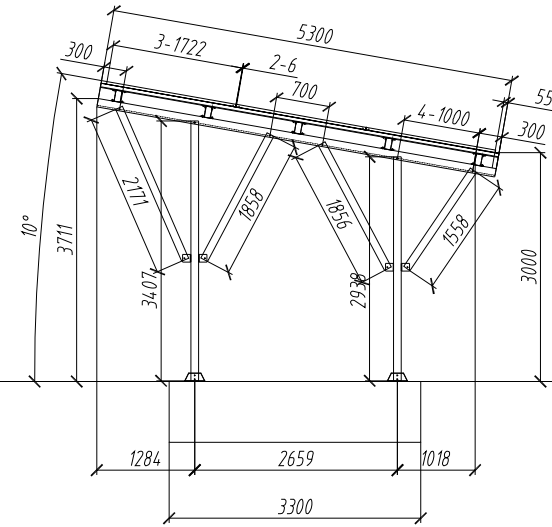
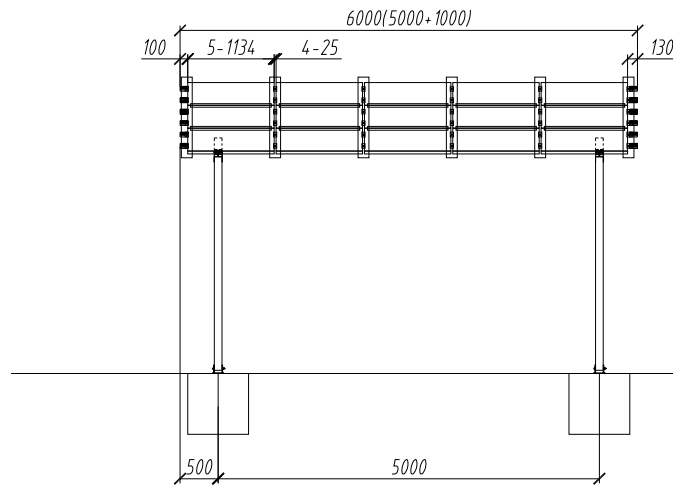




PROPRIETARY AND CONFIDENTIAL: THE INFORMATION CONTAINED IN THIS DRAWING IS THE SOLE PROPERTY OF NANOSUN SRO. ANY REPRODUCTION IN PART OR AS A WHOLE WITHOUT THE PERMISSION FROM NANOSUN IS PROHIBITED.

Rev	DSN	Version	Detail	Name	Date
3					
4					
5					



Project Info	Carport-6kw		
Racking Type			
Panel Size	1722x1134 x30		
Wind Speed	30m/s	Snow Lode	
Design	Eri	Surface Roughness	B
Confirm	Abel	3x5	
Approval	Abel		

Standard	JIS 2011	Version	v10
Material	6005-T6+SUS304		
Page	1/1	Date	

4

3

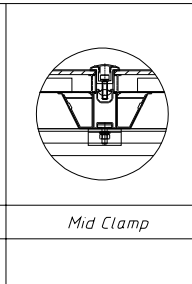
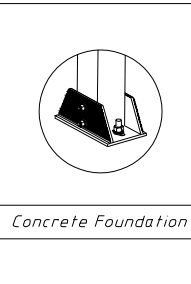
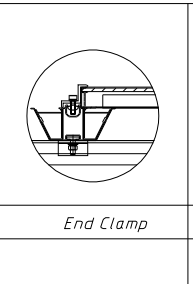
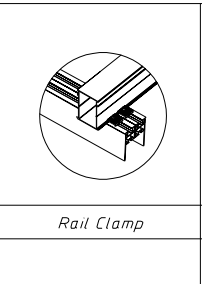
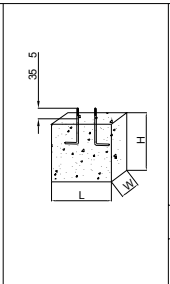
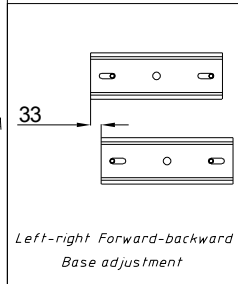
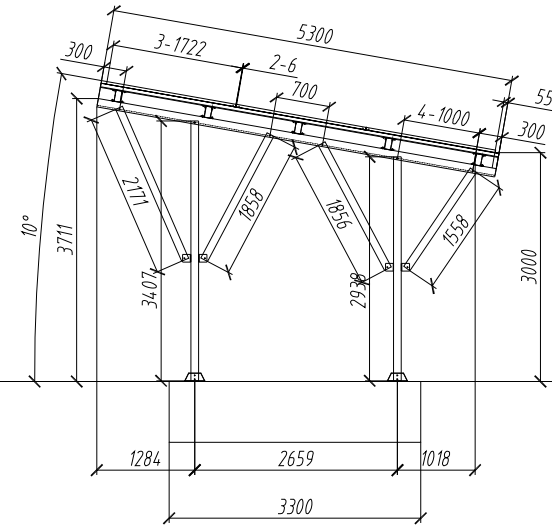
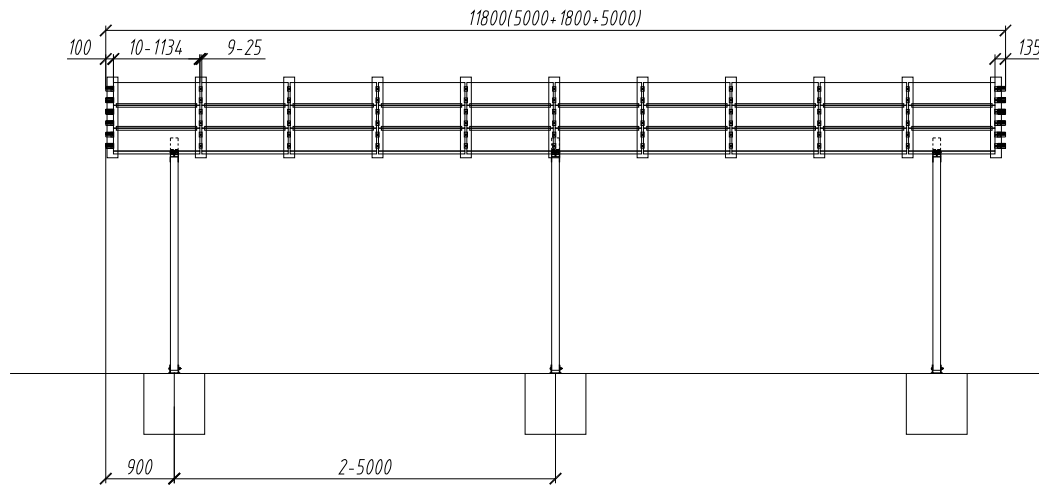
2

1



PROPRIETARY AND CONFIDENTIAL: THE INFORMATION CONTAINED IN THIS DRAWING IS THE SOLE PROPERTY OF NANOSUN SRO ANY REPRODUCTION IN PART OR AS A WHOLE WITHOUT THE PERMISSION FROM NANOSUN IS PROHIBITED

Revision	DSN	Version	Detail	Name	Date
3					
4					
5					



Project Info	Carport-12kw		
Racking Type			
Panel Size	1722x1134 x30		
Wind Speed	30m/s	Snow Lode	
Design	Eri	Surface Roughness	B
Confirm	Abel	3x10	
Approval	Abel		

Standard	JIS 2011	Version	v10
Material	6005-T6+SUS304		
Page	1/1	Date	

4

3

2

1